

## Forklift Jib

### Product information

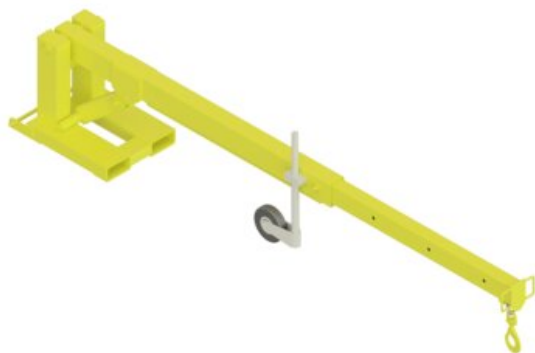


Coupling the forklift jib to a forklift truck creates a virtual crane hoist with a reach that is both longer and higher, and capable of moving goods that would otherwise require the use of a mobile crane. It also makes it possible to pass over obstacles such as fencing for example.

**Design:** Telescopic sliding arm for lifting in positions 6-10. The arm can be raised in 15-degree steps, up to 45 degrees. It is equipped with a support wheel that can be raised and is also demountable. Supplied complete with shackle and swivel safety hook, as shown in the table.

The fork lift jib is locked behind the fork ends by means of a through locking pin.

**Proof:** Batch proof 2 x WLL



Код товара	Код	WLL ton	hook type	Fork dimension mm	Вес kg
622169139	6913	3	X-027-10	155x60 - 125x50	175

# Blueprint

