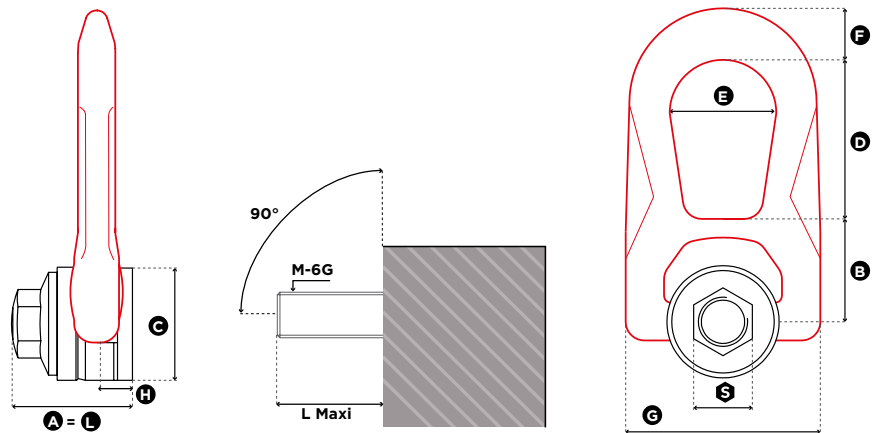


FE.DSR

FEMALE DOUBLE SWIVEL RING

GradUp



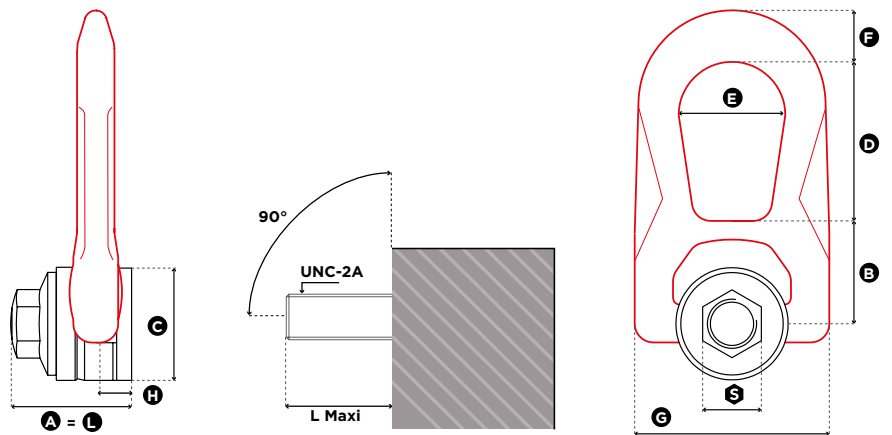
1 in = 25.4 mm

Reference	Diameter	SF 5:1 WLL (t)	SF 4:1 WLL (t)	L Maxi (mm)	Torque (Nm)	S (mm)	A (mm)	B (mm)	C (mm)	D (mm)	E (mm)	F (mm)	G (mm)	H (mm)	Weight	
															(kg)	(lbs)
FE.DSR M 8 UP	M 8 (x1,25)	0,40	0,50	45	6	20	45	40	45	53	38	17	76	13	0,9	1,98
FE.DSR M 10 UP	M 10 (x1,5)	0,70	0,90	45	10	20	45	40	45	53	38	17	76	13	0,9	1,98
FE.DSR M 12 UP	M 12 (x1,75)	1,05	1,30	45	15	20	45	40	45	53	38	17	76	13	0,9	1,98
FE.DSR M 14 UP	M 14 (x2)	1,40	1,80	45	30	20	45	40	45	53	38	17	76	13	0,9	1,98
FE.DSR M 16 UP	M 16 (x2)	2,00	2,30	45	50	20	45	40	45	53	38	17	76	13	0,9	1,98
FE.DSR M 18 UP	M 18 (x2,5)	2,30	2,30	62	70	24	62	55	60	83	55	25	115	19	2,6	5,73
FE.DSR M 20 UP	M 20 (x2,5)	2,50	2,50	62	100	24	62	55	60	83	55	25	115	19	2,6	5,73
FE.DSR M 22 UP	M 22 (x2,5)	3,50	4,50	62	120	24	62	55	60	83	55	25	115	19	2,6	5,73

FE.DSR

FEMALE DOUBLE SWIVEL RING

GradUp



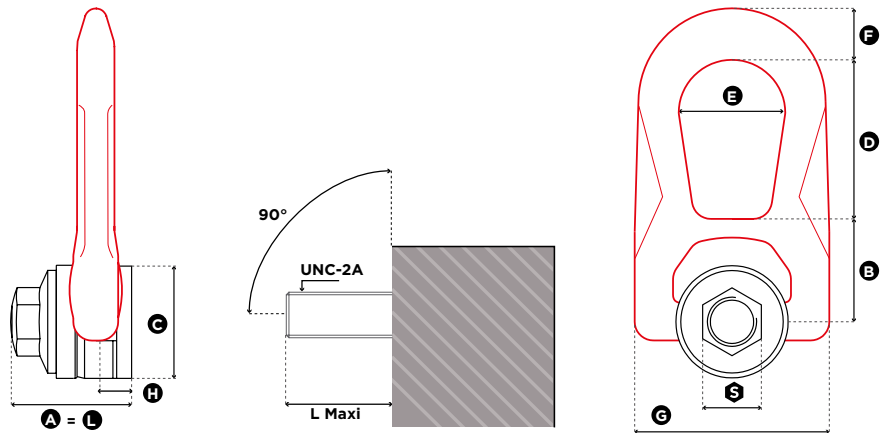
1 in = 25.4 mm

Reference	Diameter	SF 5:1 WLL (lbs)	SF 4:1 WLL (lbs)	L Maxi (mm)	Torque (ft-lb)	S (mm)	A (mm)	B (mm)	C (mm)	D (mm)	E (mm)	F (mm)	G (mm)	H (mm)	Weight	
															(kg)	(lbs)
FE.DSR U 025 UP	UNC 1/4"-20	330	450	45	3	20	45	40	45	53	38	17	76	13	0,9	1,98
FE.DSR U 516 UP	UNC 5/16"-18	1,000	1,200	45	5	20	45	40	45	53	38	17	76	13	0,9	1,98
FE.DSR U 038 UP	UNC 3/8"-16	1,300	1,600	45	8	20	45	40	45	53	38	17	76	13	0,9	1,98
FE.DSR U 050 UP	UNC 1/2"-13	2,400	2,800	45	12	20	45	40	45	53	38	17	76	13	0,9	1,98
FE.DSR U 058 UP	UNC 5/8"-11	3,900	4,900	45	40	20	45	40	45	53	38	17	76	13	0,9	1,98
FE.DSR U 075 UP	UNC 3/4"-10	5,250	5,250	62	80	24	62	55	60	83	55	25	115	19	2,6	5,73
FE.DSR U 078 UP	UNC 7/8"-9	7,900	9,800	62	90	24	62	55	60	83	55	25	115	19	2,6	5,73

FE.DSR

FEMALE DOUBLE SWIVEL RING

GradUp



1 in = 25.4 mm

Reference	Diameter	SF 5:1 WLL (lbs)	SF 4:1 WLL (lbs)	L Maxi (inch)	Torque (ft-lb)	S (inch)	A (inch)	B (inch)	C (inch)	D (inch)	E (inch)	F (inch)	G (inch)	H (inch)	Weight	
															(kg)	(lbs)
FE.DSR U 025 UP	UNC 1/4"-20	330	450	1.77	3	0.79	1.77	1.57	1.77	2.09	1.50	0.67	2.99	0.51	0.9	1.98
FE.DSR U 516 UP	UNC 5/16"-18	1,000	1,200	1.77	5	0.79	1.77	1.57	1.77	2.09	1.50	0.67	2.99	0.51	0.9	1.98
FE.DSR U 038 UP	UNC 3/8"-16	1,300	1,600	1.77	8	0.79	1.77	1.57	1.77	2.09	1.50	0.67	2.99	0.51	0.9	1.98
FE.DSR U 050 UP	UNC 1/2"-13	2,400	2,800	1.77	12	0.79	1.77	1.57	1.77	2.09	1.50	0.67	2.99	0.51	0.9	1.98
FE.DSR U 058 UP	UNC 5/8"-11	3,900	4,900	1.77	40	0.79	1.77	1.57	1.77	2.09	1.50	0.67	2.99	0.51	0.9	1.98
FE.DSR U 075 UP	UNC 3/4"-10	5,250	5,250	2.44	80	0.94	2.44	2.17	2.36	3.27	2.17	0.98	4.53	0.75	2,6	5.73
FE.DSR U 078 UP	UNC 7/8"-9	7,900	9,800	2.44	90	0.94	2.44	2.17	2.36	3.27	2.17	0.98	4.53	0.75	2,6	5.73