

## Vertical Directional Blocks



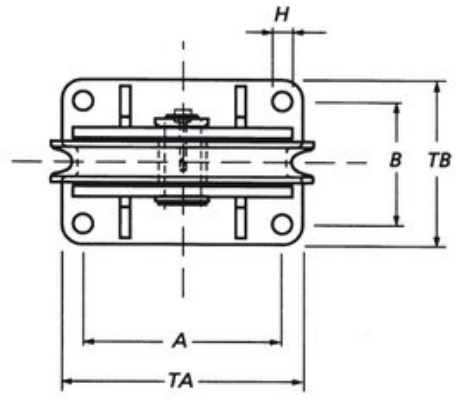
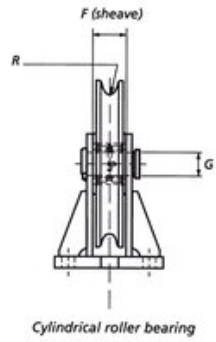
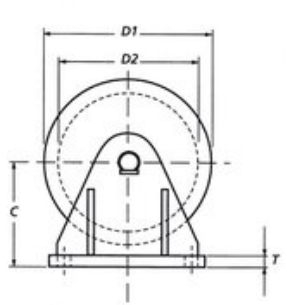
### Product information

**General:**

- Groove in sheave may be adjusted to other wire rope diameters.
- No test certificate possible.

Part Code	Rope Ø range mm	WLL ton	Bearing	Bearing	Weight kg
140101000361	10	1	Bronze bearing	Bronze	3
140101200361	12	2	Bronze bearing	Bronze	5
140101400361	14	3	Bronze bearing	Bronze	8
140101800361	18	4	Bronze bearing	Bronze	17
140102000361	20	6	Bronze bearing	Bronze	26
140102200361	22	8	Bronze bearing	Bronze	41
140102400361	24	10	Bronze bearing	Bronze	64

# Blueprint



*Bronze bushing*